



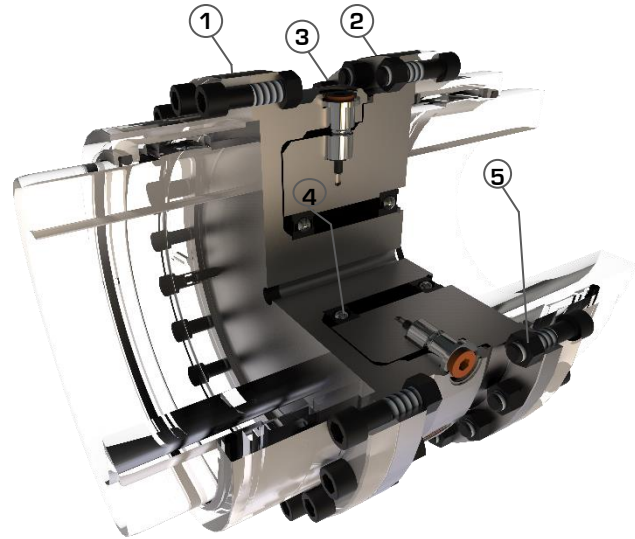
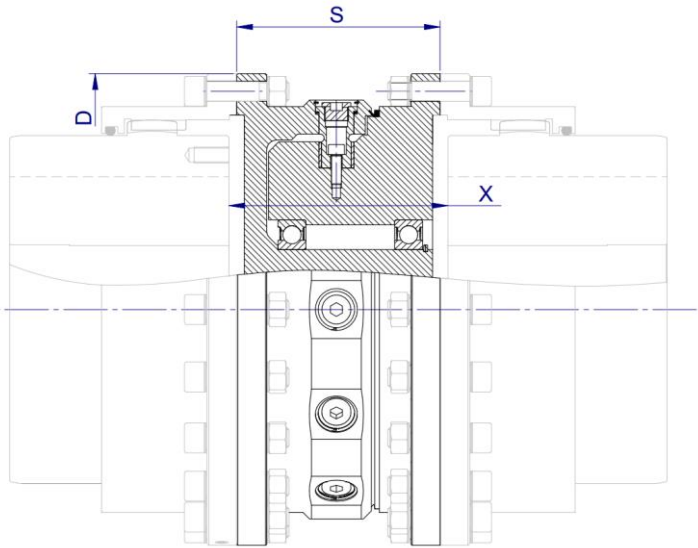
SHEAR PINS TORQUE LIMITER

K₇TLp



www.cmd-couplings.com





Item	Designation
1	COUPLING FLANGE 1
2	COUPLING FLANGE 2
3	CALIBRATED BREAK PINS SET
4	FREE ROTATION BEARING
5	FASTENERS

Designation: Flexident Senior S280 K7TLp

FLEXIDENT SENIOR CORRESPONDING SIZE		150	170	190	215	230	250	280	310	330	370	400	430	475	510
Limiting torque range	kNm	15-92	20-118	21-128	26-203	27-216	29-278	35-440	37-509	39-532	44-840	49-940	54-1230	62-1680	66-1800
	D	298	330	368	410	440	473	498	575	608	676	735	800	940	990
	S	151	169	169	178	193	204	200	219	221	243	254	249	281	276
	X	157	177	177	186	201	214	210	231	233	255	269	264	297	296
Weight *	kg	53.6	80.8	98.6	127.8	156.3	193.0	217.5	315.0	351.0	490.0	626.0	735.0	1100.0	1187.0
Moment of inertia *	kgm ²	0.50	0.96	1.43	2.39	3.43	4.64	6.17	11.52	14.10	24.20	37.00	52.20	105.30	128.30
Max speed	rpm	1800	1600	1500	1300	1200	1100	1000	903	857	760	696	643	573	542

POSSIBLE COMBINATION WITH:



Type S & SR



Type SV



Type S PA



Type ML-ML2



Type JL



Type S E



Type S DF



Type S DFC

For any QUERY or request for QUOTATION :

couplings@cmdgears.com



And also with flexacier/Winflex PA: