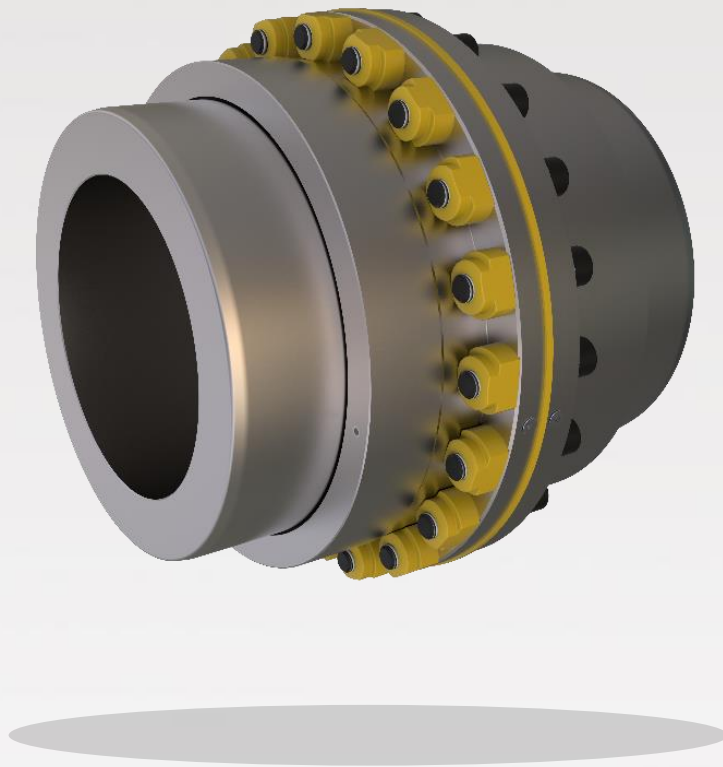




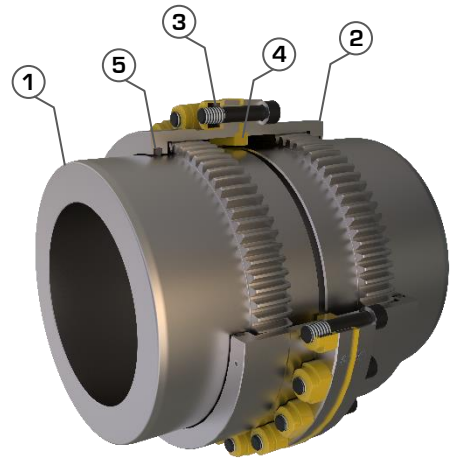
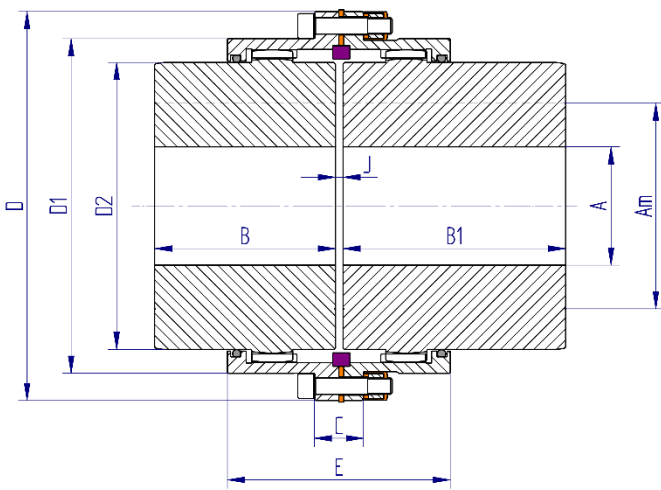
ELECTRICALLY INSULATED COUPLINGS

# flexident<sup>®</sup> Senior + I



[www.cmd-couplings.com](http://www.cmd-couplings.com)





Item	Designation
1	GEAR HUB
2	GEAR SLEEVE
3	ELECTRICAL INSULATED FASTENING SET
4	CENTERING RING (OPTIONAL)
5	SEAL

Designation: Flexident Senior S280 + I

FLEXIDENT SENIOR SIZE		150	170	190	215	230	250	280	310	330	370	400	430
Nominal Torque S	kNm	29.2	43	60.7	88.2	105	138	190	255	320	410	525	670
Nominal Torque SR	kNm	44	65	92	133	159	207	302	400	501	637	848	1080
Max Bore	Am*	150	170	190	215	230	250	280	310	330	370	400	430
	Am <sub>y</sub>	140	160	175	200	210	230	250	310	330	370	400	430
Rough bore	A	68	83	98	108	118	128	128	163	176	191	240	257
	B	120	135	150	175	190	220	310	310	330	350	370	430
	B1	215	245	295	300	305	350	-	-	-	-	-	-
	C	20.0	20	24	24	30	30	30	34	34	39	43	47
	D	298	330	368	410	440	473	498	575	608	676	735	800
	D1	245	277	309	351	374	407	432	494	518	576	637	695
	D2	209	238	263	302	319	349	374	411	438	492	535	581
	E	233	260	269	288	315	345	339	374	387	409	445	453
J	6	8	8	8	8	10	10	12	12	12	15	15	
Weight *	kg	84	119	164	243	300	406	616	805	957	1261	1613	2191
Weight ML	S.ML	110	157	226	313	373	503	-	-	-	-	-	-
Weight ML2	S.ML2	136	195	288	382	446	600	-	-	-	-	-	-
Moment of inertia *	kgm <sup>2</sup>	0,65	1,14	1,96	3,63	5,08	8,08	13,1	21,9	29,1	47,6	74,1	117
Max speed		1800	1600	1500	1300	1200	1100	1000	903	857	760	696	643
	y	4800	4200	3800	3300	3100	2900	2700	2409	2285	2026	1857	1714
Lube weight **	kg	0.80	1.00	1.70	2.20	2.90	3.80	4.0	6.2	6.6	7.9	11.0	13.5

\* Complete coupling. Hubs considered without any bore

\*\* Complete coupling

y Dynamically balanced

▼ Per coupling

● Solid hub

For any QUERY or request for QUOTATION :

[couplings@cmdgears.com](mailto:couplings@cmdgears.com)